

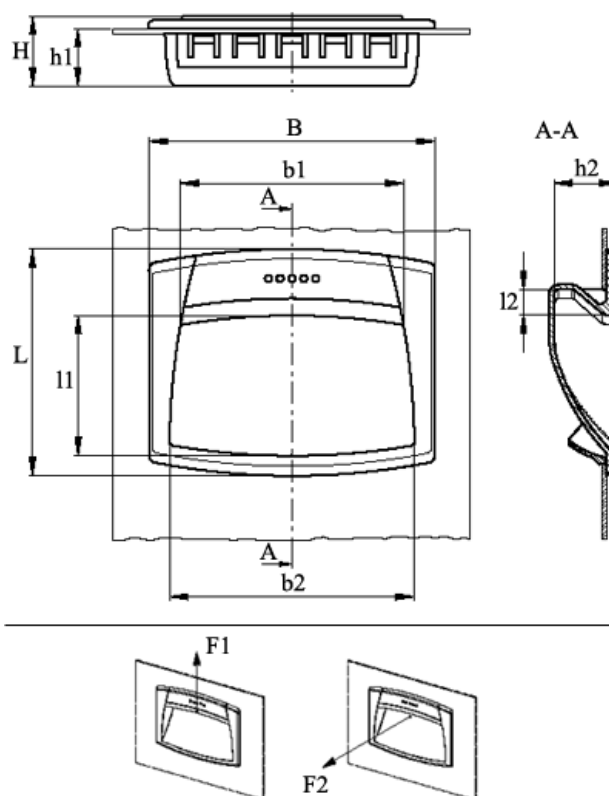
Data Sheet



Article number: 23052610511

Description: E+G Flush pull handle, snap mount.
EPR.90-PF-C1

Measures



B	= 90	L	= 50
b1	= 76	l1	= 28
b2	= 79	l2	= 7
F1 (N)	= 1800		
F2 (N)	= 500		
H	= 19.0		
h1	= 17		
h2	= 17.5		